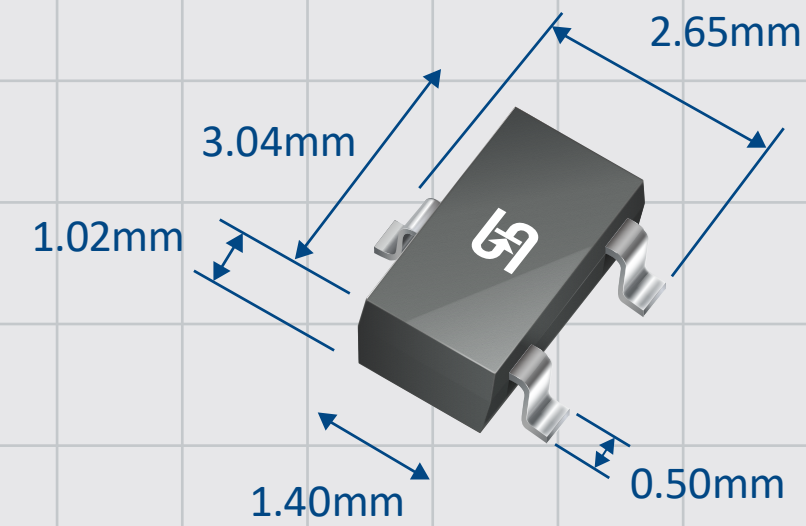


Automotive Bi-directional ESD Protection Diode

The TESDA24VB30P2CX is Bidirectional ESD rated clamping cell to protect power interfaces, control line, or low speed data line in an electronic system. The capacitance C_d must be less than 100 pF to maintain signal integrity at the maximum data rate of 20 kbit/s. To minimize the total impact of the diode on the system C_d is less than 30 pF. This device has been specifically designed to protect sensitive electronic components that are connected to power and control lines from over-voltage damage by Electrostatic Discharging (ESD), and Indirect Lightning strikes which allow it to meet the CAN bus specifications.

PACKAGE



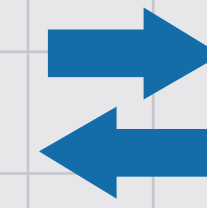
SOT-23

FEATURES



AUTOMOTIVE QUALIFIED

AEC-Q101



ESD PROTECT FOR 2 LINE WITH BIDIRECTIONAL

24V

24V AND BELOW OPERATING VOLTAGE

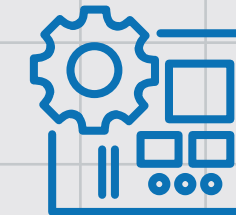


PROTECT I/O LINE OR POWER LINE

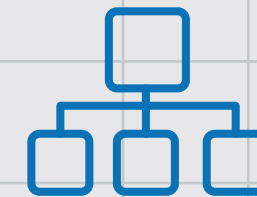
APPLICATIONS



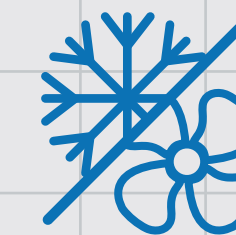
IN-VEHICLE NETWORK LINES



INDUSTRIAL CONTROL SYSTEMS

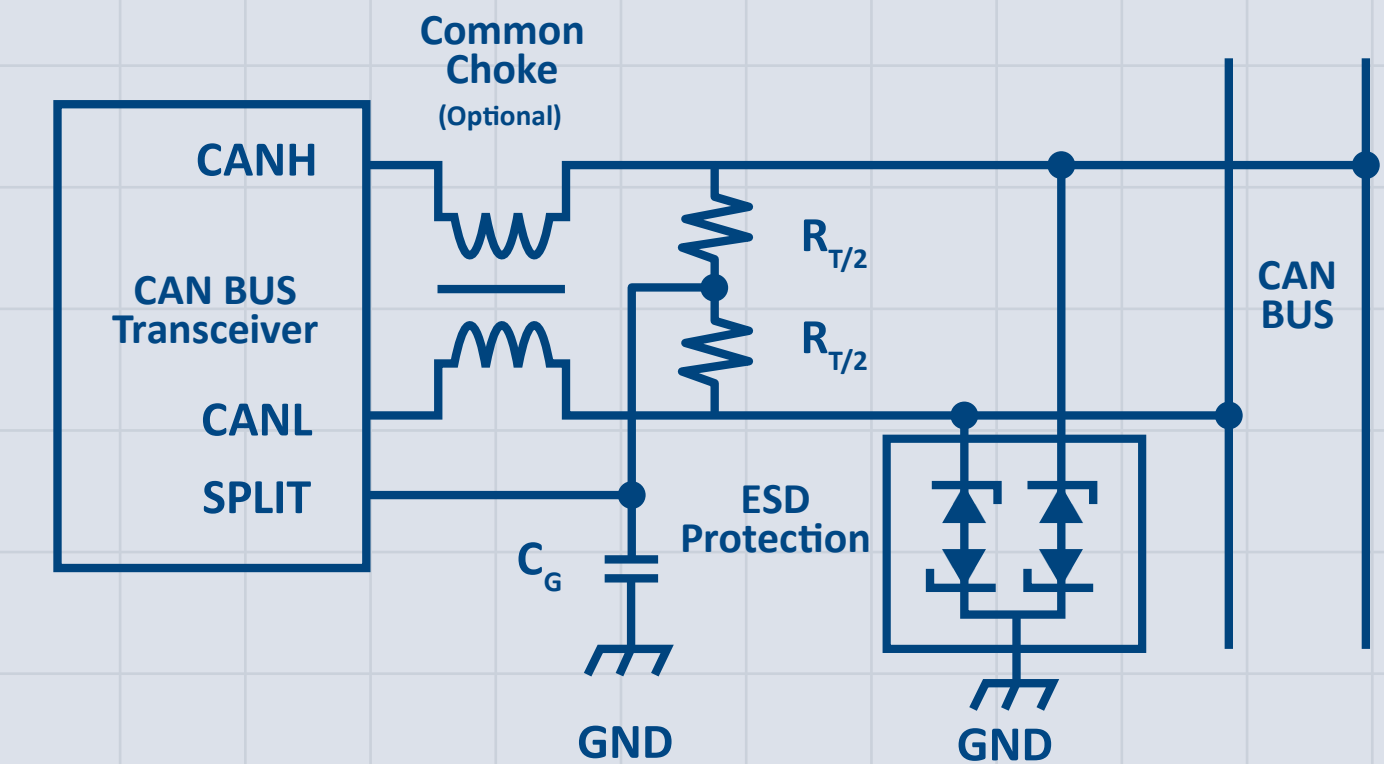


CAN BUS



HVAC SYSTEMS

Typical application:
ESD protection of two automotive CAN bus lines



SPECIFICATION

Part number	V_{WM}	C_j max	ESD robustness (IEC61000-4-2)	IPPM (at $t_p= 8/20\mu s$)
TESDA24VB30P2CX	24V	30pF	30KV	5A



Official Website



X



LinkedIn

For more information: marketing@ts.com.tw

© 2024 TAIWAN SEMICONDUCTOR, CO., LTD. ALL RIGHTS RESERVED.



TAIWAN SEMICONDUCTOR

www.taiwansemi.com